

General Purpose Perforated Worm-Gear Hose Clamps

Breeze Aero-Seal®

The original perforated stainless steel worm-gear clamp. Heavy duty four-piece Quadra-Lock construction enables far more tightening torque to be delivered to the band perforations. Use for aircraft and heavy-duty industrial applications.

9/16" (14.2 mm) band
5/16" (7.9 mm) slotted hex screw

Per SAE standard J1508 Type "F"



Standard Hex Head Screw

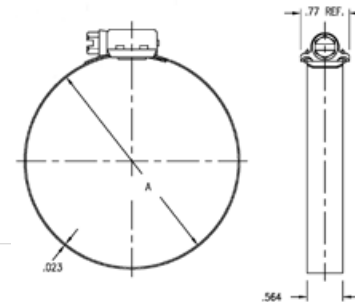


Safety Collared Screw



Thumb / Wing Screw

SAE Size	EFFECTIVE DIAMETER RANGE				PART NUMBERS		
	Min.		Max.		Plated Hex Screw	410 SS Hex* Screw	300 SS Hex Screw
	in.	mm	in.	mm			
6	7/16	11	25/32	20	100 06 H	200 06 H	300 06 H
8	1/2	13	29/32	23	100 08 H	200 08 H	300 08 H
10	9/16	14	1-1/16	27	100 10 H	200 10 H	300 10 H
12	11/16	17	1-1/4	32	100 12 H	200 12 H	300 12 H
16	13/16	21	1-1/2	38	100 16 H	200 16 H	300 16 H
20	13/16	21	1-3/4	44	100 20 H	200 20 H	300 20 H
24	1-1/16	27	2	51	100 24 H	200 24 H	300 24 H
28	1-5/16	33	2-1/4	57	100 28 H	200 28 H	300 28 H
32	1-9/16	40	2-1/2	64	100 32 H	200 32 H	300 32 H
36	1-13/16	46	2-3/4	70	100 36 H	200 36 H	300 36 H
40	2-1/16	52	3	76	100 40 H	200 40 H	300 40 H
44	2-5/16	59	3-1/4	83	100 44 H	200 44 H	300 44 H
48	2-9/16	65	3-1/2	89	100 48 H	200 48 H	300 48 H
52	2-13/16	71	3-3/4	95	100 52 H	200 52 H	300 52 H
56	3-1/16	78	4	102	100 56 H	200 56 H	300 56 H
60	3-5/16	84	4-1/4	108	100 60 H	200 60 H	300 60 H
64	3-9/16	91	4-1/2	114	100 64 H	200 64 H	300 64 H
72	1-7/8	48	5	127	100 72 H	200 72 H	300 72 H
80	2-1/2	64	5-1/2	140	100 80 H	200 80 H	300 80 H
88	3-1/8	79	6	152	100 88 H	200 88 H	300 88 H
96	3-5/8	92	6-1/2	165	100 96 H	200 96 H	300 96 H
104	4-1/8	105	7	178	100 104 H	200 104 H	300 104 H
128	5-5/8	143	8-1/2	216	100 128 H	200 128 H	300 128 H
152	7-1/8	181	10	254	100 152 H	200 152 H	300 152 H
188	9-3/8	238	12-1/4	311	100 188 H	200 188 H	300 188 H



* 200 series also available with thumb/wing screw (replace "H" with "W") and safety collared screw (replace "H" with "S"). Also available in 316 stainless steel as special order